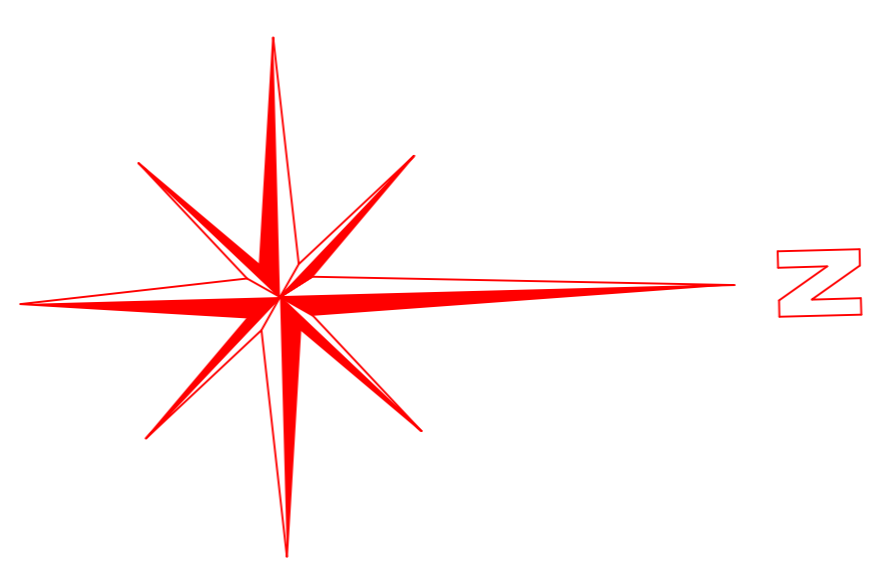


BUILDING MANAGEMENT SECTION
EULEX-KOSOVO

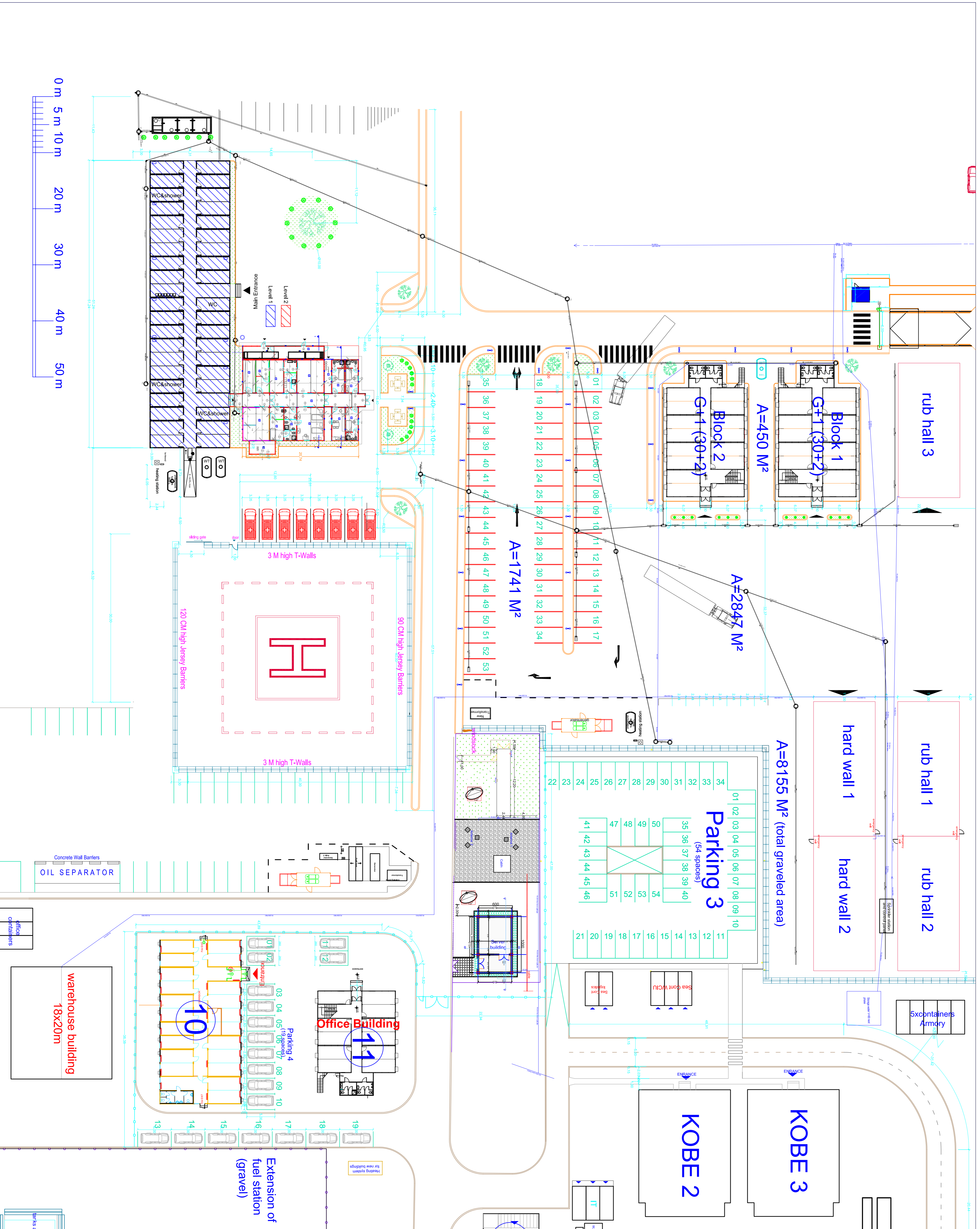


PROJECT TITLE:
EPC & EMC

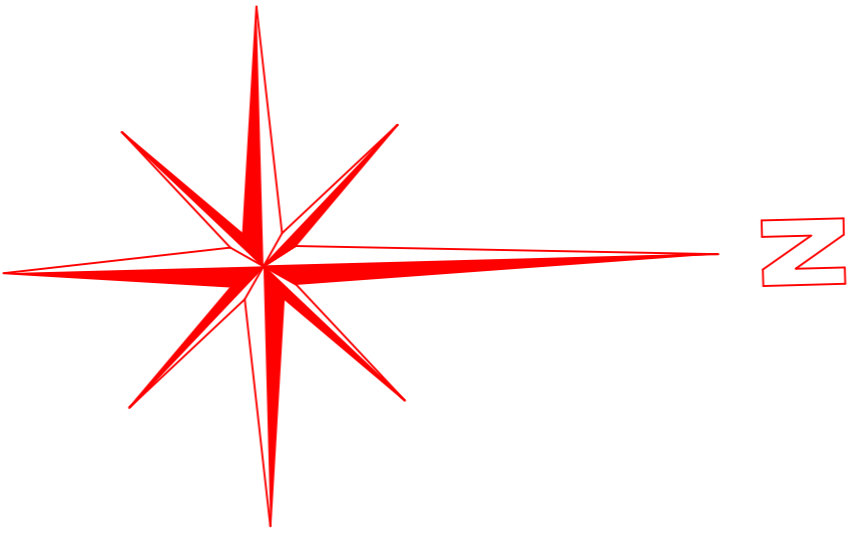
LOCATION: INDUSTRIAL ZONE
FRISHTINA

DRAWING TITLE:
EPC & EMC LAYOUT WATER AND
SEWAGE

APPROVED BY:	
CHECKED BY:	
DESIGNED BY:	EULEX-BMS
SCALE:	N/A
UNITS:	CM
DRAWING NO.:	01
DATE:	January 2013



BUILDING MANAGEMENT SECTION
EULEX-KOSOVO



PROJECT TITLE:
EPC & EMC

LOCATION: INDUSTRIAL ZONE
PRISHTINA

DRAWING TITLE:
EPC & EMC LAYOUT WATER AND
SEWAGE

APPROVED BY:

CHECKED BY:

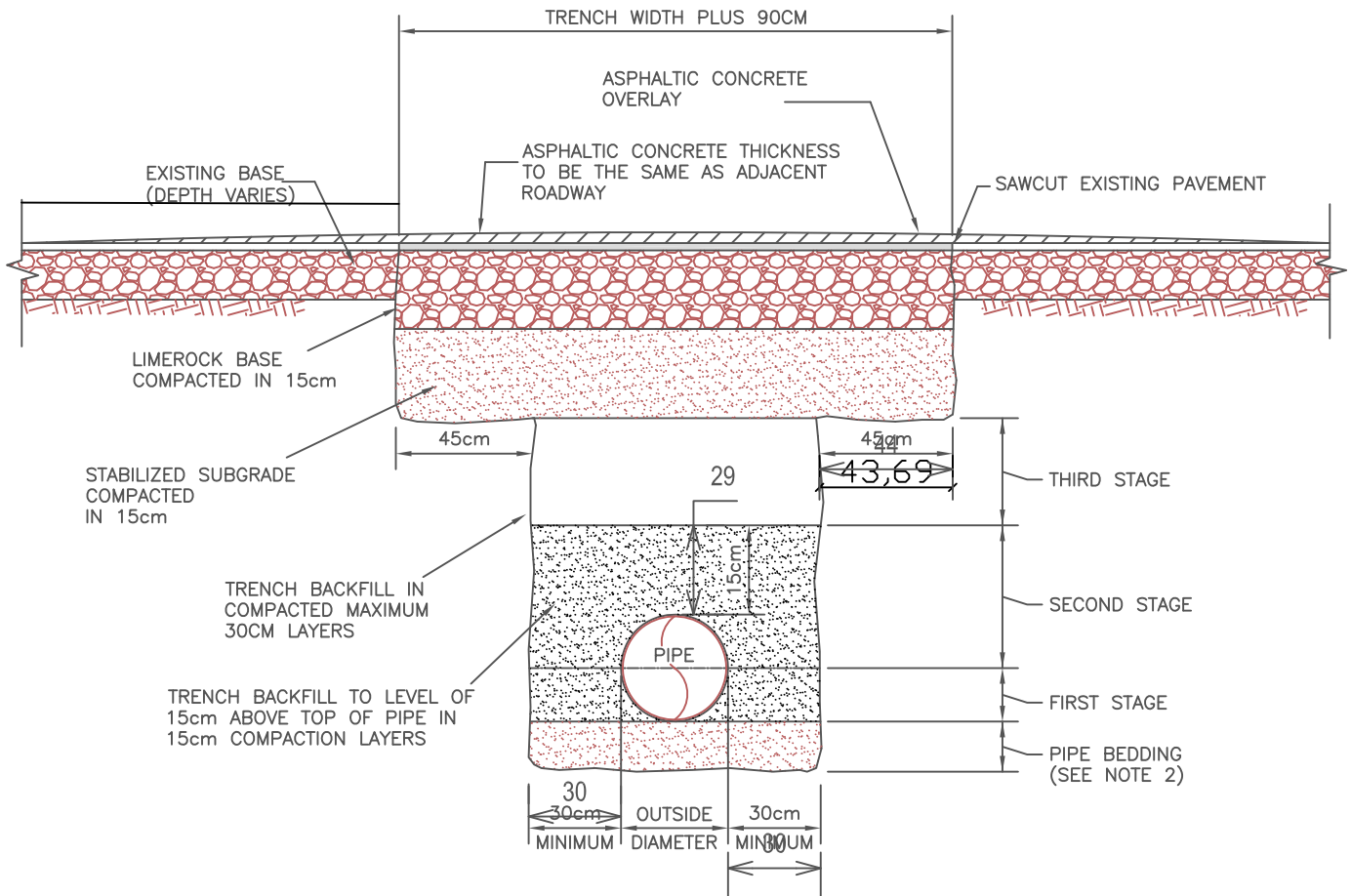
DESIGNED BY: EULEX-BMS

SCALE: N/A

UNITS: cm

DRAWING NO: 01

DATE: January 2013



NOTES:

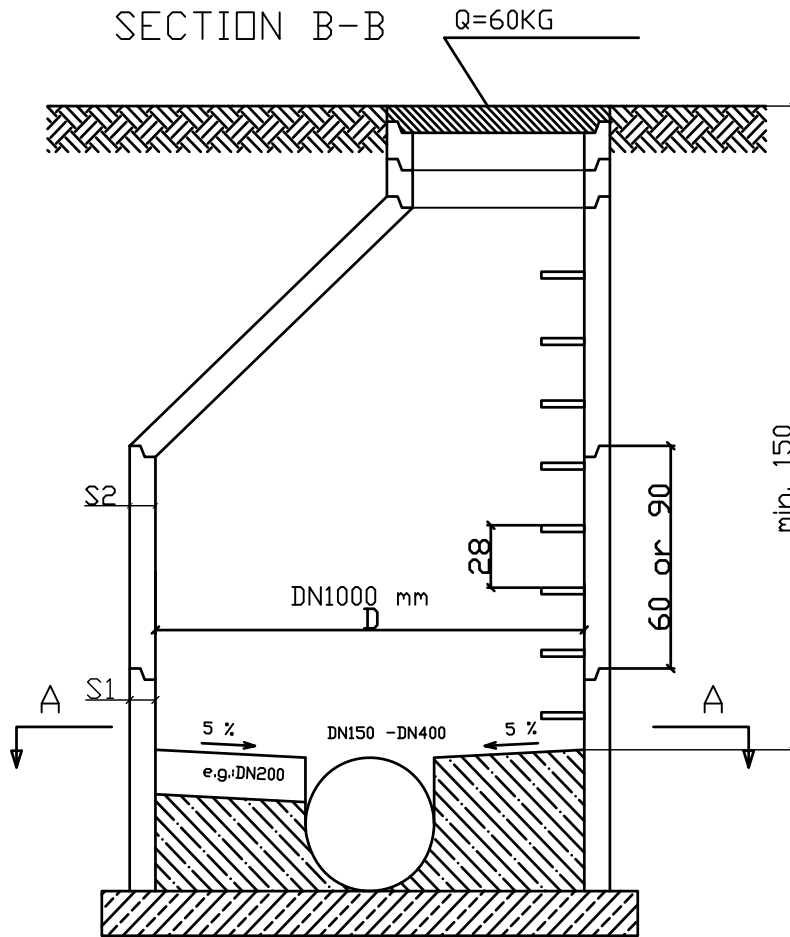
1. BACKFILL SHALL BE OF SUITABLE MATERIAL REMOVED FROM EXCAVATION EXCEPT WHERE OTHER MATERIAL IS SPECIFIED. BACKFILL MATERIAL SHALL CONSIST OF EARTH, LOAM, SANDY CLAY, GRAVEL, CRUSHED LIMESTONE, OR OTHER APPROVED MATERIAL. REFER TO TECHNICAL SPECIFICATIONS FOR DETAIL REQUIREMENTS.
2. IF TRENCH BOTTOM CONTAINS ROCK, THEN A MINIMUM OF A 15CM PIPE BEDDING SHALL BE USED.

**TRENCH RESTORATION
DETAIL FOR ROADS**

NTS

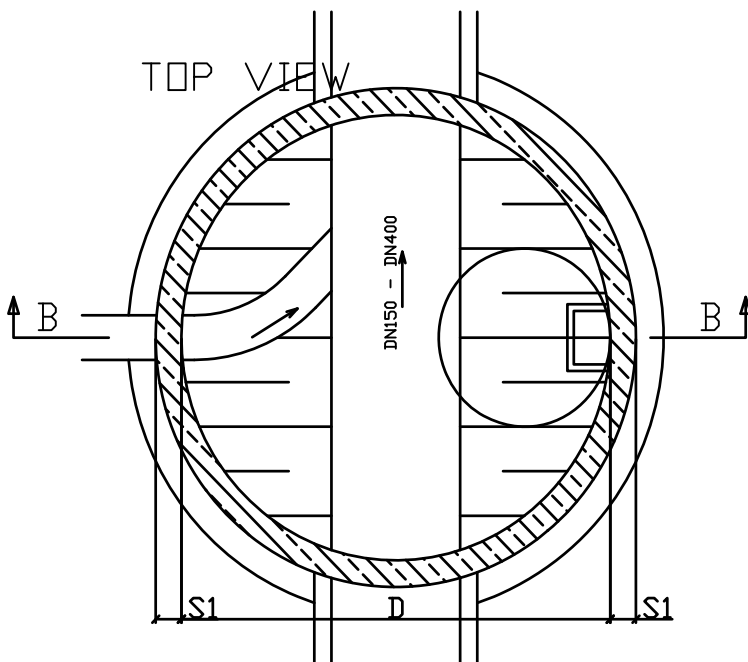
PROJECT:	EEPC&EMC
DRAWING:	TRENCH DETAIL
CHECKED BY:	
DESIGNED BY:	
SCALE:	NTS
UNIT	cm
DRAWING No:	
DATE:	JAN 2013





Diameter of pipe	min	min	
[mm]	[mm]	[mm]	[mm]
up to 600	130	120	1000

SECTION A-A



PROJECT:	EEPC&EMC	
DRAWING:	MANHOLE DETAIL	
CHECKED BY:		
DESIGNED BY:		
SCALE:	NTS	
UNIT	cm	
DRAWING No:		
DATE:	JAN 2013	

